

### Features

- Two-way diverter valve.
- Diverter valve code-approved for backflow protection.
- 15 gpm flow rate using 1/2" high-flow valves.
- Handshower sold separately.
- Coordinates with Components faucets, accessories, and showering components to complete your bathroom.

### Material

- Brass.
- KOHLER finishes resist corrosion and tarnishing.

### Installation

- Deck- or bath-mount.

### Recommended Products/Accessories

- K-45415-AG Multifunction 1.75 GPM Handshower
- K-72421-G Multifunction Handshower
- K-22165-G 1.75 gpm multifunction handshower
- K-22166-G 1.75 gpm multifunction handshower with Katalyst®
- 79583 Roughing-in Kit for Deck-Mount Handshowers
- K-23723 Faucet cleaner

### Included Components

- Additional Components:  
GP78825



### Codes/Standards

ASME A112.18.1/CSA B125.1

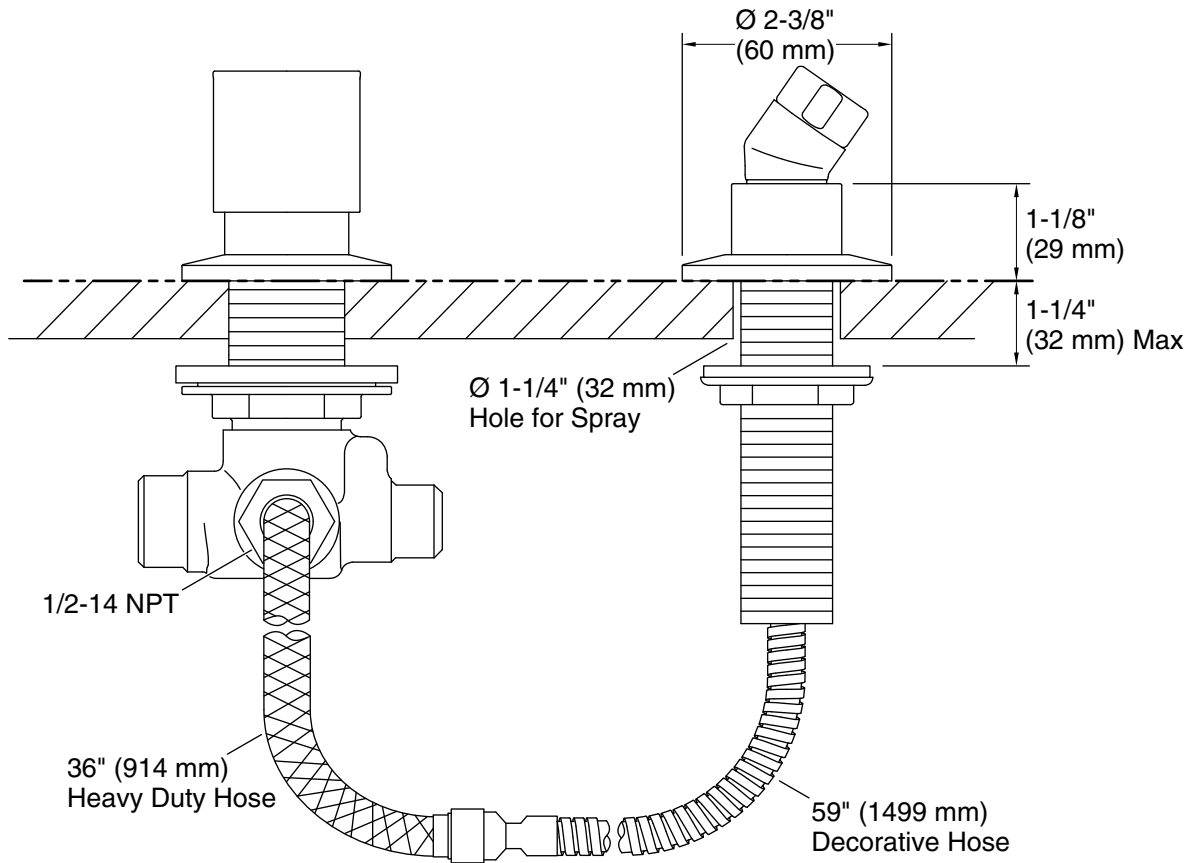
### KOHLER® Faucet Lifetime Limited Warranty

See website for detailed warranty information.

### Available Colors/Finishes

*Color tiles intended for reference only.*

Color	Code	Description
	CP	Polished Chrome
	BN	Vibrant® Brushed Nickel
	BL	Matte Black
	2MB	Vibrant® Brushed Moderne Brass



**Technical Information**

All product dimensions are nominal.

**Shower Valve:**

Flow Rate (Max) @ 45 psi	15 gal/min (56.8 l/min)
Pressure:	45 psi (3.1 bar)
Maximum (Static) Pressure:	125 psi (8.6 bar)
Valve body:	Cast brass
Drain included:	No

**Notes**

Install this product according to the installation instructions.